

## INSULATING SHEATHS

### Diflex spiral sheaths

#### GENERAL CHARACTERISTIC

Name: DIFLEX

Colour: Grey RAL 7035 - Black RAL 9005

Material: Rigid PVC for the internal spiral - Plastic for the cap

Length supplied: 30 meters rolls

Standard: IEC EN 61386-1; IEC EN 61386-23

Application field: for the protection of conductors in fixed or mobile installations in residential applications, and on board operating machinery in industrial applications thanks to its flexibility and resistance to mineral oils

Installation type: mainly exposed on walls and ceilings. Suitable for applications inside false ceilings and floating floors

Characteristic according to IEC/EN 61386-23		Classification code
Resistance to compression:	Light - 320 N	2
Resistance to impact:	Medium - 2 J	3
Lower temperature range:	+5 °C	1
Upper temperature range:	+60 °C	1
Resistance to bending:	Flexible	4
Electrical characteristics:	With electrical insulating characteristics	2
Protection against ingress of solid objects		
With revolving and fixed couplings:		5
With conduit-sheath unions:		6
Protection against ingress of water		
With revolving and fixed couplings:		4
With conduit-sheath unions:		5
Resistance against corrosion:	Not applicable to plastic conduit systems	-
Tensile strength:	Very light	1
Resistance to flame propagation:	Non-flame propagating	1
Suspended load capacity:	Not applicable	0
Insulation resistance: > 100 MΩ at 500 V for 1 minute		
Dielectric rigidity: 2000 V for 15 minutes		

\* The IP degree of protection depends on the type of accessories used.

BEHAVIOUR WITH CHEMICAL AND ATMOSPHERIC AGENTS										
Saline solution	Acids		Bases		Solvents				Mineral oil	UV rays
	Concentrated	Diluted	Concentrated	Diluted	Hexane	Benzol	Acetone	Ethyl alcohol		
Resistant	Limited resistance	Resistant	Limited resistance	Resistant	Resistant	Resistant	Resistant	Not resistant	Resistant	Resistant

## SPIRALATED SHEATHS FOR LIGHT APPLICATIONS

### GENERAL CHARACTERISTIC

Name: LIGHT	Standard: IEC EN 61386-1; IEC EN 61386-23
Colour: RAL 7035 grey	Application field: for non-heavy duty uses in industrial applications
Material: Rigid PVC for the internal spiral - Plastic for the cap	Installation type: visible
Length supplied: 30 meters rolls	

Characteristic according to IEC/EN 61386-23		Classification code
Resistance to compression:	Very Light - 125 N	1
Resistance to impact:	Medium - 2 J	3
Lower temperature range:	+5 °C	1
Upper temperature range:	+60 °C	1
Resistance to bending:	Flexible	4
Electrical characteristics:	With electrical insulating characteristics	2
Protection against ingress of solid objects		
With revolving and fixed couplings:		5
With conduit-sheath unions:		6
Protection against ingress of water		
With revolving and fixed couplings:		4
With conduit-sheath unions:		5
Resistance against corrosion:	Not applicable to plastic conduit systems	-
Tensile strength:	Very light	1
Resistance to flame propagation:	Non-flame propagating	1
Suspended load capacity:	Not applicable	0

Insulation resistance: > 100 MΩ at 500 V for 1 minute

Dielectric rigidity: 2000 V for 15 minutes

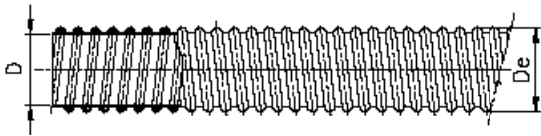
\* The IP degree of protection depends on the type of accessories used.

### BEHAVIOUR WITH CHEMICAL AND ATMOSPHERIC AGENTS

Saline solution	Acids		Bases		Solvents				Mineral oil	UV rays
	Concentrated	Diluted	Concentrated	Diluted	Hexane	Benzol	Acetone	Ethyl alcohol		
Resistant	Limited resistance	Resistant	Limited resistance	Resistant	Resistant	Resistant	Resistant	NOT resistant	Resistant	Resistant

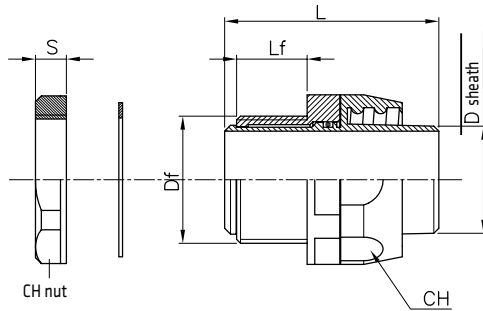
Dimension tables

DIFLEX - SPIRALLED SHEATH



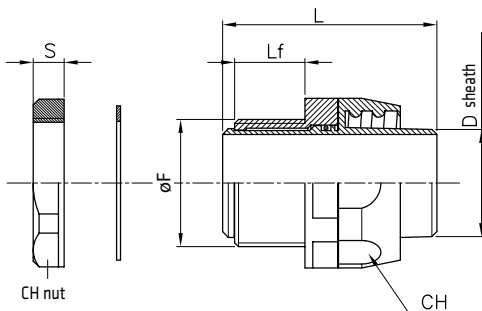
SHEATH Ø (mm)	DIFLEX range		LIGHT range	D	De
	Grey RAL 7035	Black RAL 9005	Grey RAL 7035		
8	DX 30 008	DX 30 108	-	8	12.1
10	DX 30 010	DX 30 110	-	10	14.6
12	DX 30 012	DX 30 112	DX 30 812	12	16.4
14	DX 30 014	DX 30 114	-	14	18.7
16	DX 30 016	DX 30 116	DX 30 816	16	20.7
20	DX 30 020	DX 30 120	DX 30 820	20	25
22	DX 30 022	DX 30 122	-	22	27
25	DX 30 025	DX 30 125	DX 30 825	25	30.6
28	DX 30 028	DX 30 128	-	28	33.5
32	DX 30 032	DX 30 132	-	32	38
35	DX 30 035	DX 30 135	-	35	41
40	DX 30 040	DX 30 140	-	40	46.4
50	DX 30 050	DX 30 150	-	50	57.2
60	DX 30 060	DX 30 160	-	60	68

STRAIGHT, REVOLVING COUPLING DEVICE - METRIC PITCH - IP54



Code (Grey)	Code (Black)	For sheaths Ø (mm)	Df	Lf	L	S	CH	CH nut
DX 54 008	DX 54 108	8	M12 x 1.5	9.5	34	7	17	20
DX 54 010	DX 54 110	10	M16 x 1.5	9.5	35.2	7	19	22
DX 54 012	DX 54 112	12	M16 x 1.5	10	39.5	7	22	22
DX 54 016	DX 54 116	16	M20 x 1.5	12.5	44.5	7	24	26
DX 54 020	DX 54 120	20	M25 x 1.5	13.5	48	8	30	32
DX 54 022	DX 54 122	22	M25 x 1.5	13.5	48	8	32	32
DX 54 025	DX 54 125	25	M32 x 1.5	15.5	54	8	38	40
DX 54 028	DX 54 128	28	M32 x 1.5	17.5	55	8	42	40
DX 54 032	DX 54 132	32	M40 x 1.5	16.5	56.5	9	45	47
DX 54 040	DX 54 140	40	M50 x 1.5	20.5	62	9	53	58
DX 54 050	DX 54 150	50	M63 x 1.5	20.5	65.5	9	66	72

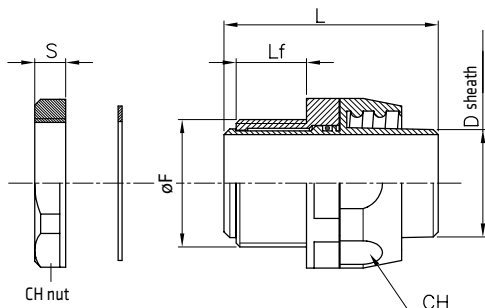
STRAIGHT, REVOLVING COUPLING DEVICE - GAS PITCH - IP54



Code (Grey)	Code (Black)	For sheaths Ø (mm)	GAS pitch	Lf	L	S	CH	CH nut	øF
DX 54 208	DX 54 308	8	1/4"	9.5	34	7	17	19	13.5
DX 54 210	DX 54 310	10	1/4"	9.5	35.2	7	19	19	13.5
DX 54 212	DX 54 312	12	3/8"	10	39.5	7	22	23	17.2
DX 54 214	DX 54 314	14	1/2"	11.5	42	7	22	26	21.3
DX 54 216	DX 54 316	16	1/2"	12.5	44.5	7	24	26	21.3
DX 54 220	DX 54 320	20	3/4"	13.5	48	8	30	34	26.9
DX 54 222	DX 54 322	22	3/4"	13.5	48	8	32	34	26.9
DX 54 225	DX 54 325	25	1"	15.5	54	8	38	40	33.7
DX 54 228	DX 54 328	28	1"	17.5	55	8	42	40	33.7
DX 54 232	DX 54 332	32	1 1/4"	16.5	56.5	9	45	50	42.4
DX 54 235	DX 54 335	35	1 1/4"	15.5	55	9	48	50	42.4
DX 54 240	DX 54 340	40	1 1/2"	20.5	62	9	53	56	48.3
DX 54 250	DX 54 350	50	2"	20.5	65.5	9	66	70	60.3

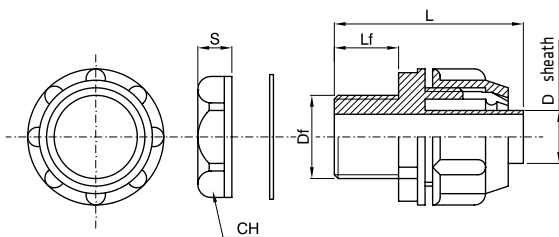
For technical information contact the Technical Assistance Service or visit [gewiss.com](http://gewiss.com)

**STRAIGHT, REVOLVING COUPLING DEVICE - PG PITCH - IP54**



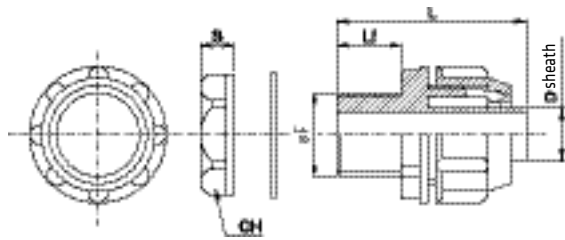
Code (Grey)	Code (Black)	For sheaths Ø (mm)	PG pitch	Lf	L	S	CH	CH nut	øF
DX 54 408	DX 54 508	8	7	9.5	34	7	17	20	12.5
DX 54 410	DX 54 510	10	7	9.5	35.2	7	19	20	12.5
DX 54 411	DX 54 511	10	9	9.5	35.2	7	19	20	15.2
DX 54 412	DX 54 512	12	11	10	39.5	7	22	23	18.6
DX 54 413	DX 54 513	12	13.5	10	39.5	7	22	26	20.4
DX 54 414	DX 54 514	14	13.5	11.5	42	7	22	26	20.4
DX 54 416	DX 54 516	16	13.5	12.5	44.5	7	24	26	20.4
DX 54 417	DX 54 517	16	16	12.5	44.5	7	24	30	22.5
DX 54 420	DX 54 520	20	21	13.5	48	8	30	34	28.3
DX 54 422	DX 54 522	22	21	13.5	48	8	32	34	28.3
DX 54 425	DX 54 525	25	29	15.5	54	8	38	44	37
DX 54 428	DX 54 528	28	29	17.5	55	8	42	44	37
DX 54 432	DX 54 532	32	36	16.5	56.5	9	45	56	47
DX 54 435	DX 54 535	35	36	15.5	55	9	48	56	47

**STRAIGHT, FIXED COUPLING DEVICE - METRIC PITCH - IP54**



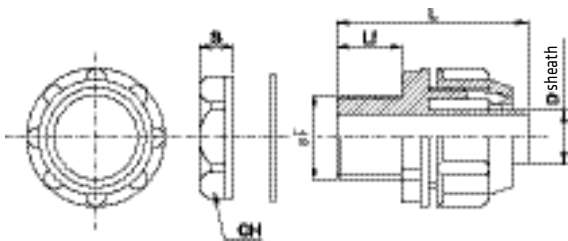
Code (Grey)	For sheaths Ø (mm)	Df	Lf	L	S	CH
DX 56 008	8	M12 X 1	15	33	7	18
DX 56 010	10	M16 X 1.5	20	46	7.5	22
DX 56 012	12	M16 X 1.5	20	46	7.5	22
DX 56 014	14	M16 X 1.5	20	46	7.5	22
DX 56 016	16	M20 X 1.5	20	49	7.5	27
DX 56 022	20-22	M25 X 1.5	20	53	8.5	32
DX 56 025	25	M25 X 1.5	20	53	8.5	32
DX 56 028	28	M32 X 1.5	20	55	8.5	41
DX 56 040	40	M40 X 1.5	20	55	9.5	48
DX 56 050	50	M50 X 1.5	19	61	9.5	58

**STRAIGHT, FIXED COUPLING DEVICE - GAS PITCH - IP54**



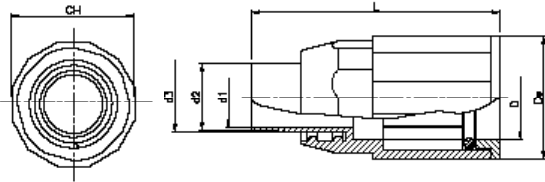
Code	For sheaths Ø (mm)	GAS pitch	Lf	L	S	CH	øF
DX 56 208	8	1/4"	15	33	7	19	13.5
DX 56 210	10	1/4"	20	46	7	19	13.5
DX 56 212	12	3/8"	20	46	7	24	17.2
DX 56 214	14	3/8"	20	46	7	28	17.2
DX 56 216	16	1/2"	20	49	7	28	21.3
DX 56 222	20-22	3/4"	20	53	7	34	26.9
DX 56 225	25	3/4"	20	53	7	34	26.9
DX 56 228	28	1"	20	55	8	40	33.7
DX 56 232	32	1 1/4"	20	55	10	50	42.4
DX 56 235	35	1 1/4"	20	55	10	50	42.4
DX 56 240	40	1 1/2"	20	55	10	58	48.3
DX 56 250	50	2"	19	61	8	70	60.3

**STRAIGHT, FIXED COUPLING DEVICE - PG PITCH - IP54**



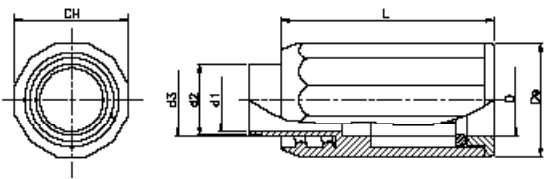
Code	For sheaths Ø (mm)	PG pitch	Lf	L	S nut	CH	øF
DX 56 408	8	7	15	33	7	19	12.5
DX 56 410	10	7	20	46	7	19	12.5
DX 56 411	12	9	20	46	7	19	15.2
DX 56 412	12	11	20	46	7	24	18.6
DX 56 413	12	13.5	20	46	7	28	20.4
DX 56 414	14	13.5	20	46	7	28	20.4
DX 56 415	16	11	20	49	7	30	18.6
DX 56 416	16	13.5	20	49	7	30	20.4
DX 56 417	16	16	20	49	7	30	22.5
DX 56 422	20-22	16	20	53	7	30	22.5
DX 56 423	20-22	21	20	53	8	34	28.3
DX 56 425	25	21	20	53	8	34	28.3
DX 56 428	28	29	20	55	8	44	37
DX 56 432	32	36	20	55	8	55	47
DX 56 435	35	36	20	55	8	55	47
DX 56 440	40	42	20	55	8	70	54
DX 56 450	50	48	19	61	8	70	59.3

## CONDUIT-SHEATH UNIONS MORBIDX® - IP65



Code	For sheaths Ø (mm)	D	De	d1	d2	d3	L	CH
DX 43 316	16	16.3	25	10.5	16	12.2	54.8	25
DX 43 320	20	20.3	28.8	14.5	20	16.2	58	29
DX 43 325	25	25.4	33.4	18.5	25	20.2	64	34
DX 43 332	32	32.5	39.9	23.5	32	25	69.8	42
DX 43 340	40	40.7	48.7	30	40	32.2	74.8	52
DX 43 350	50	50.6	59.2	38	50	40.2	81.8	60

## CONDUIT-SHEATH UNIONS MORBIDX® - EQUAL DIAMETER - IP65



Code	For sheaths Ø (mm)	D	De	d1	d2	d3	L	CH
DX 43 416	16	16.3	25	14	15.8	16	57.8	26
DX 43 420	20	20.3	28.8	18	19.8	20	64	30
DX 43 425	25	25.4	33.4	22.5	24.8	25	70	34
DX 43 432	32	32.5	39.9	30	31.8	32	71.8	45
DX 43 440	40	40.7	48.7	38	39.8	40	81.8	54